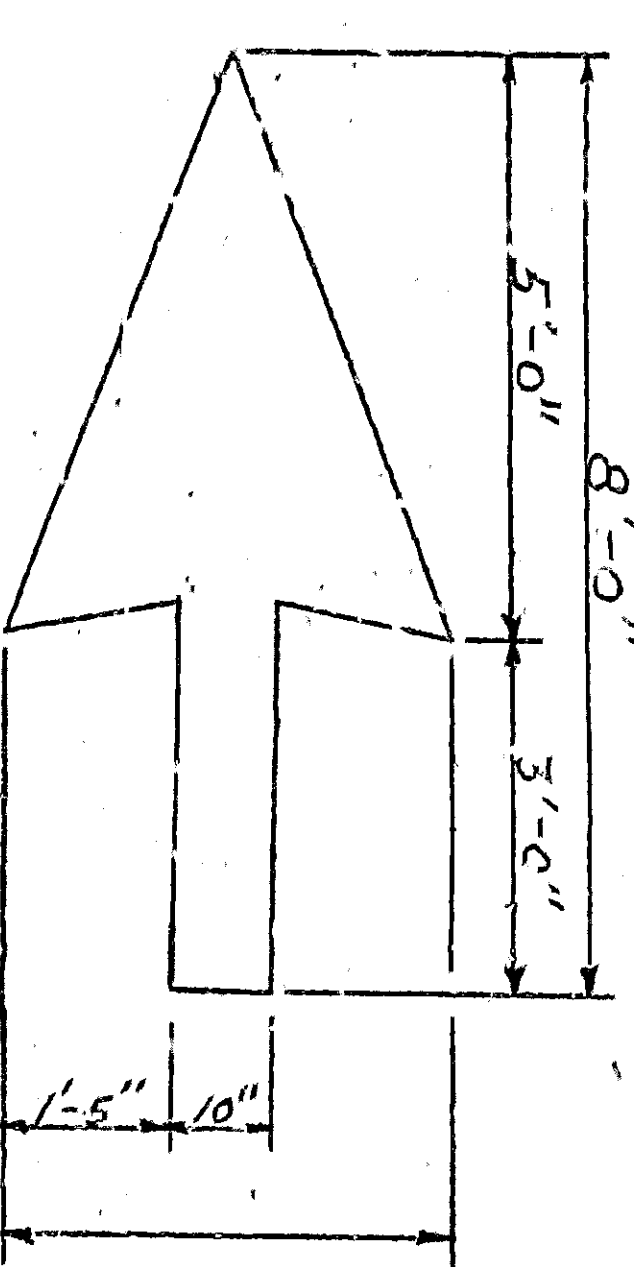
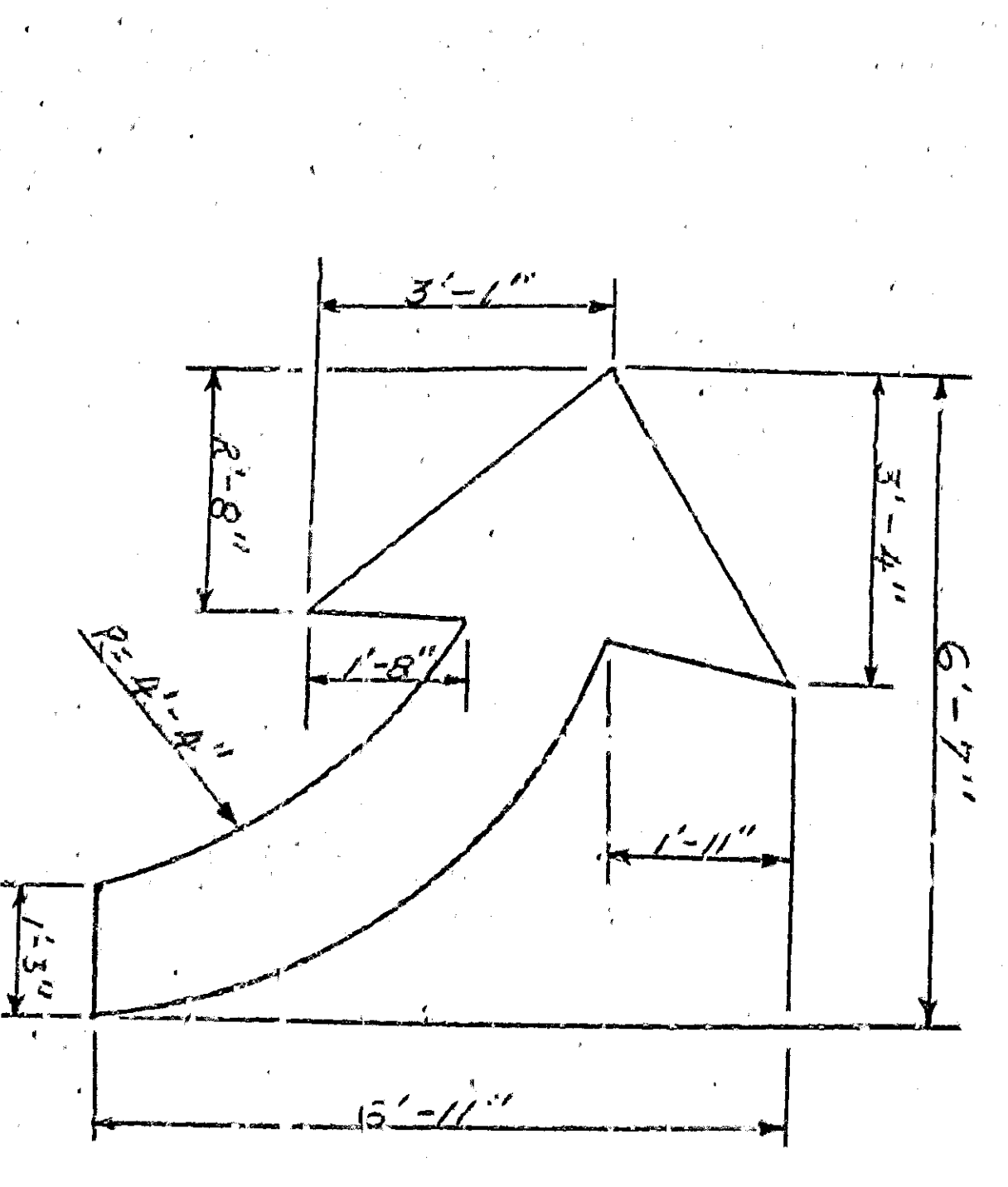
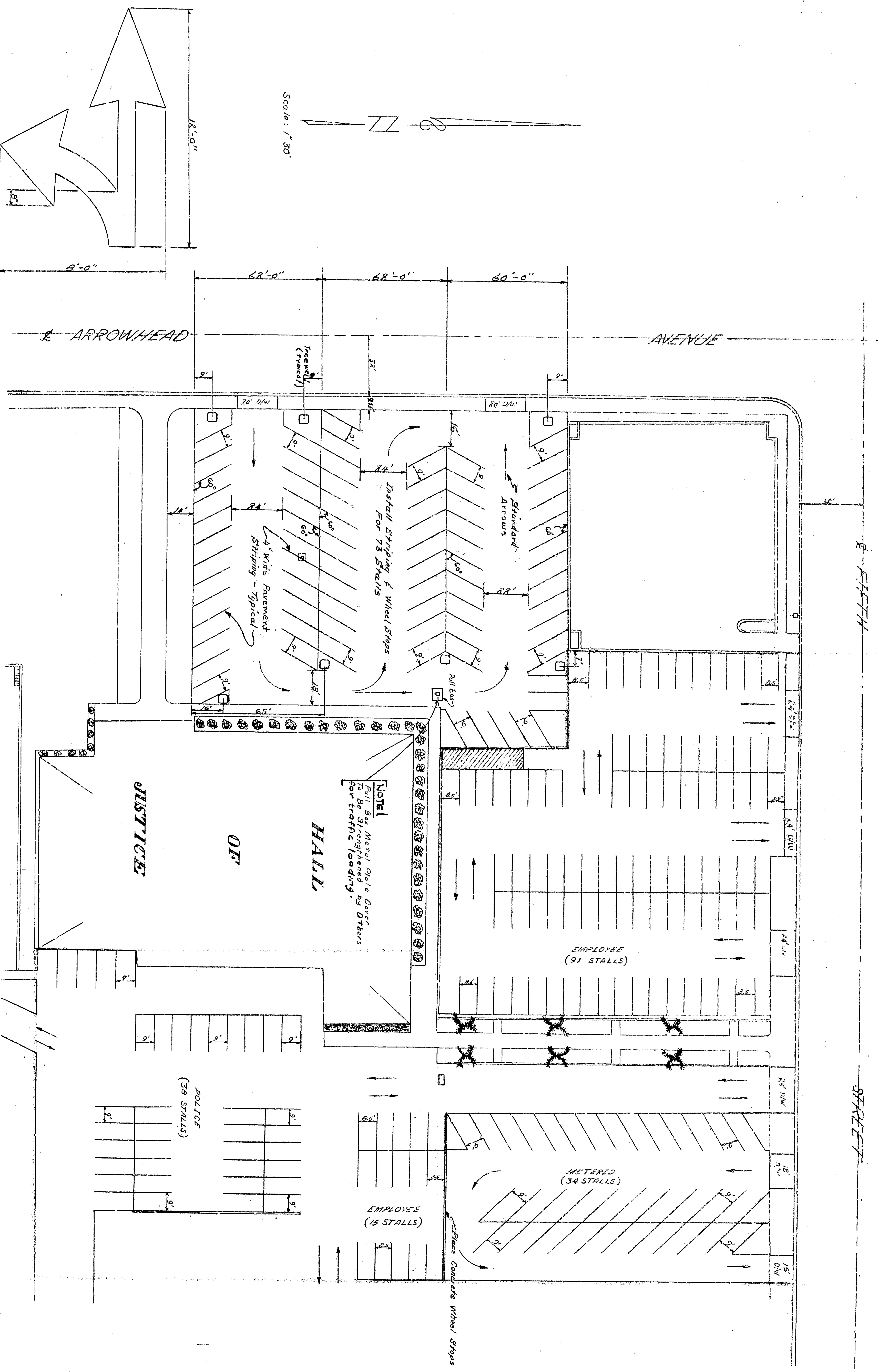


NOT PART OF THIS CONTRACT



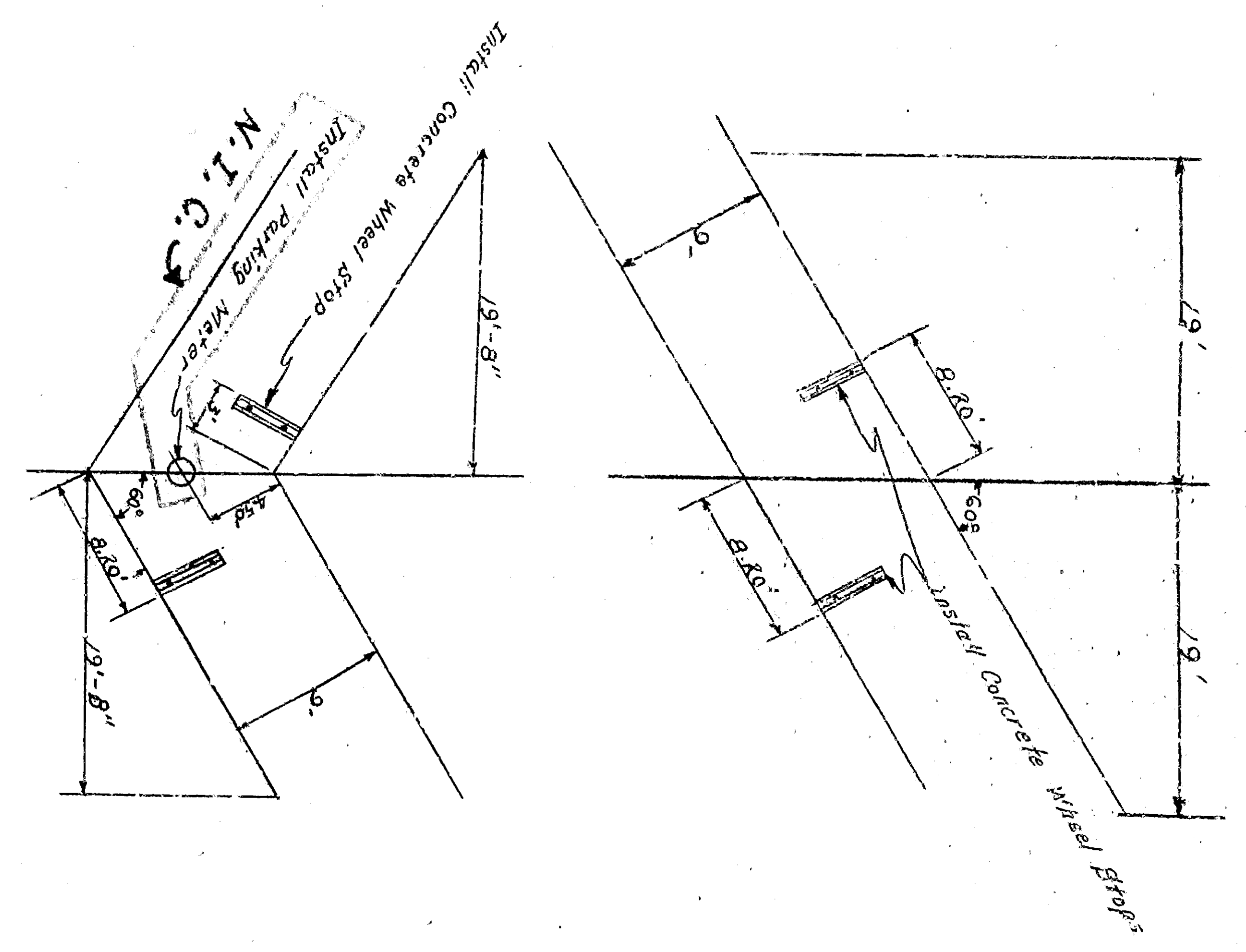
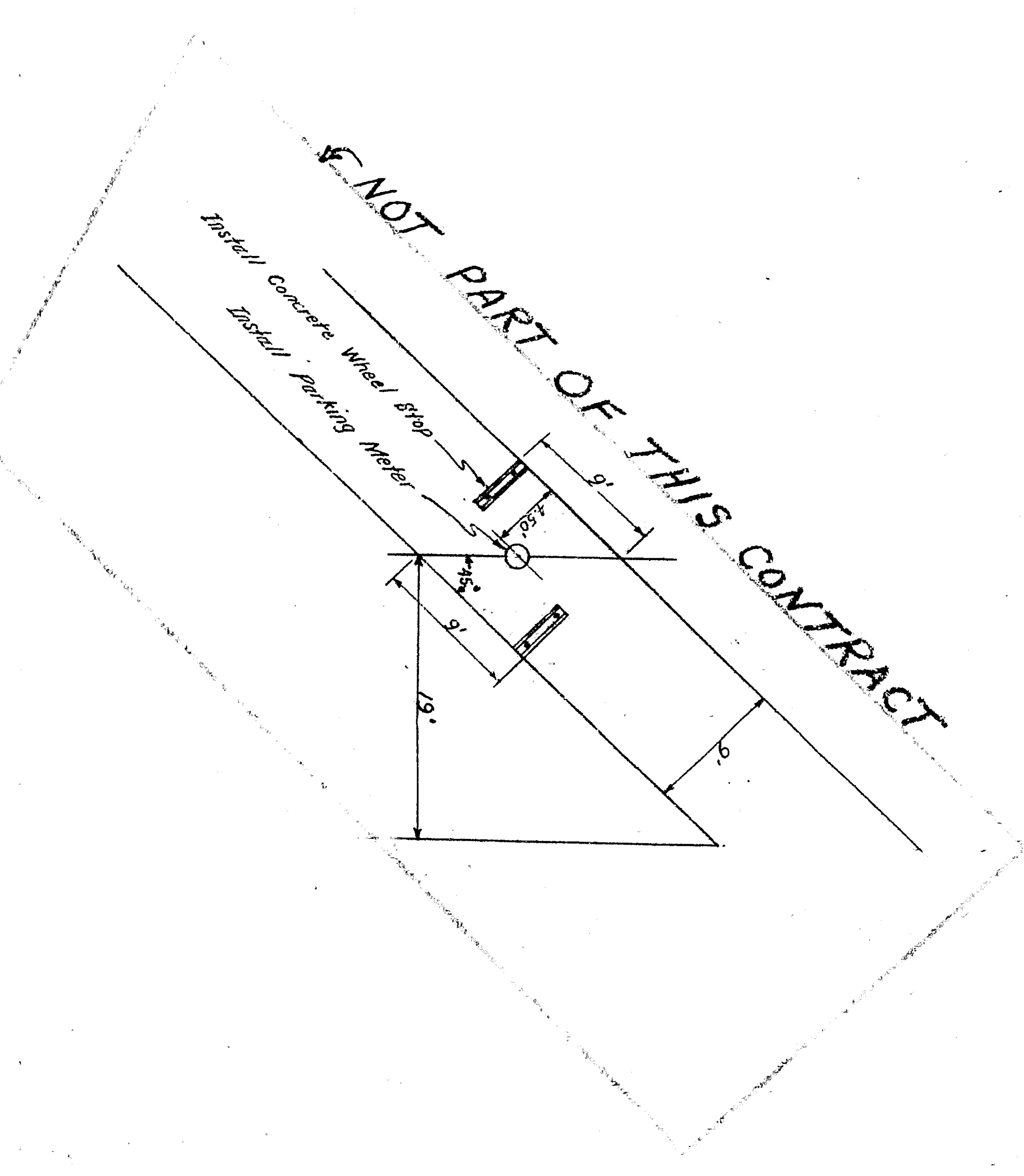
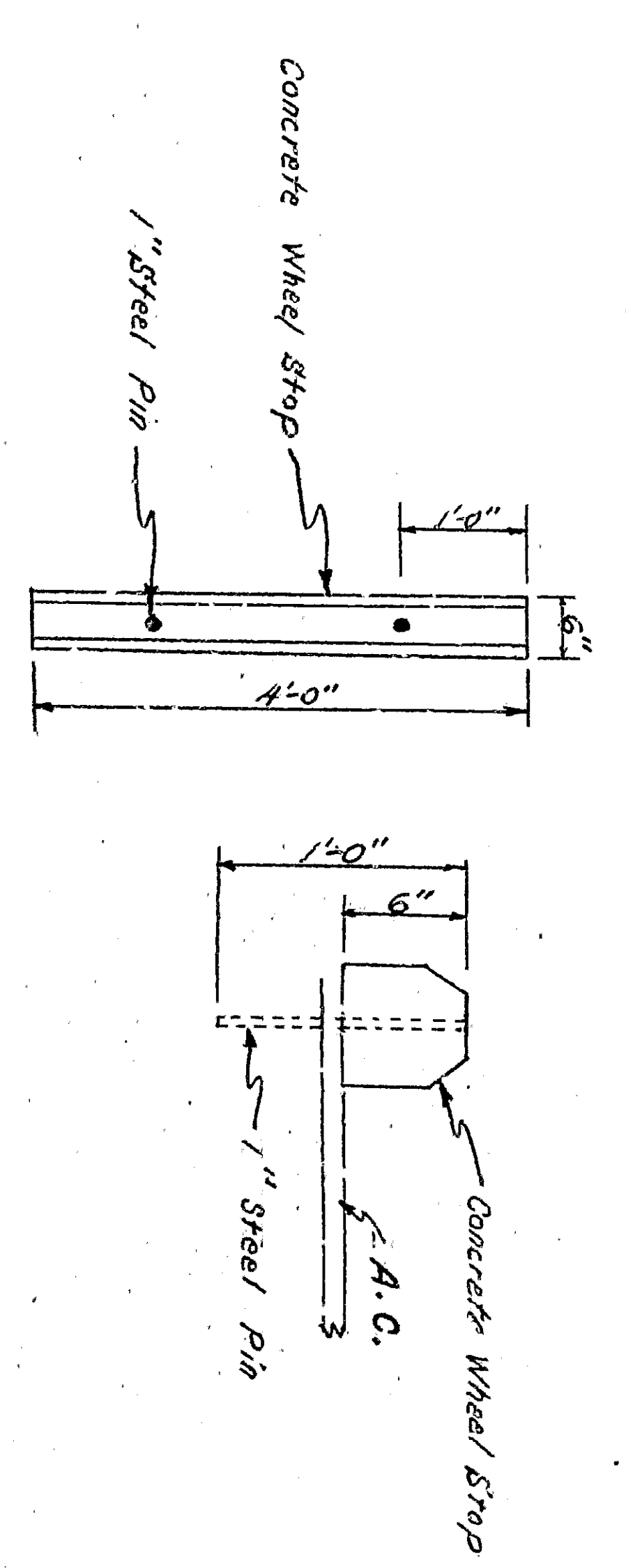
TYPICAL ARROWHEAD
FOR PAVEMENT MARKINGS
NO SCALE

NOT PART OF THIS CONTRACT

APPROXIMATE PARKING
METERED PARKING 103 STALLS @ 8'x6'
POLICE CAR PARKING 38 STALLS @ 9'
EMPLOYEE 91 STALLS @ 9'

PARKING STALL DETAILS
NO SCALE

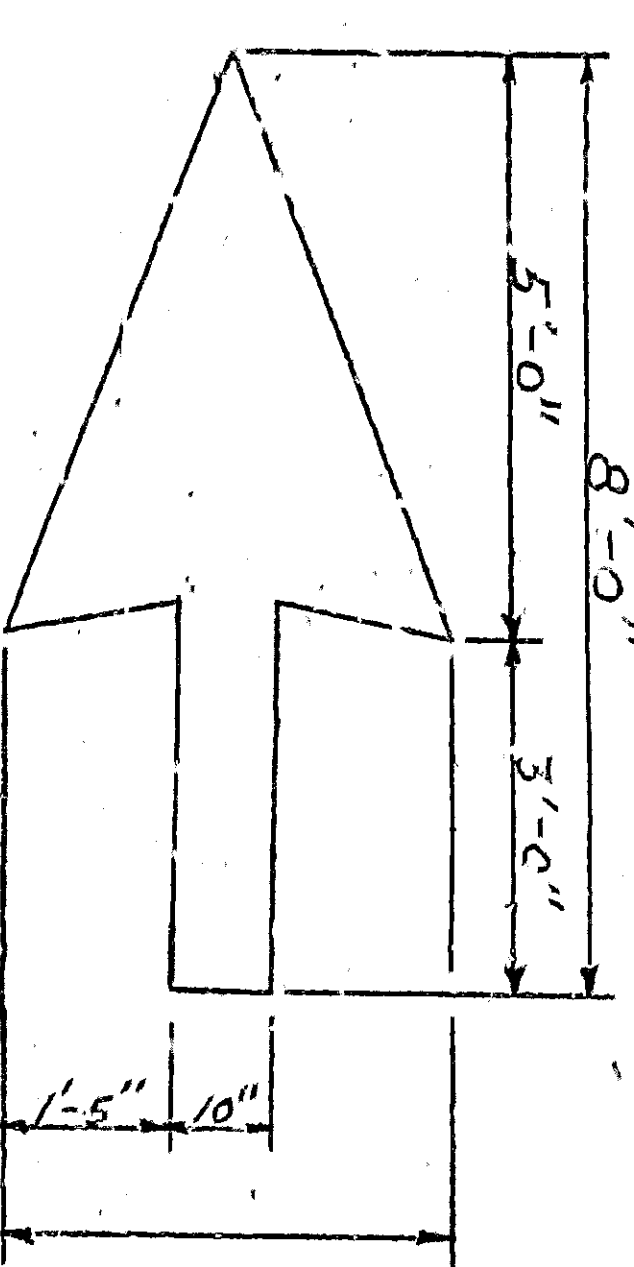
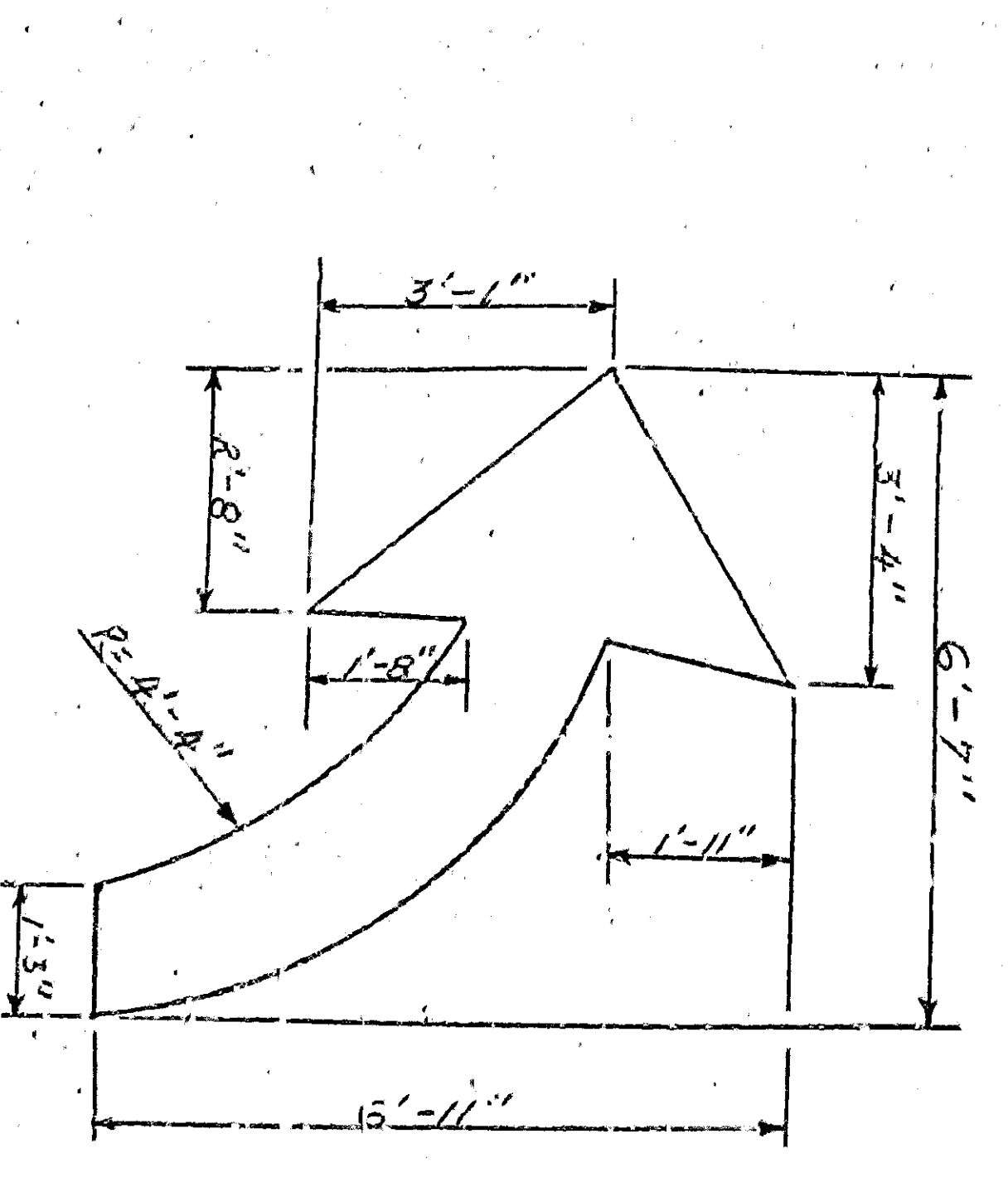
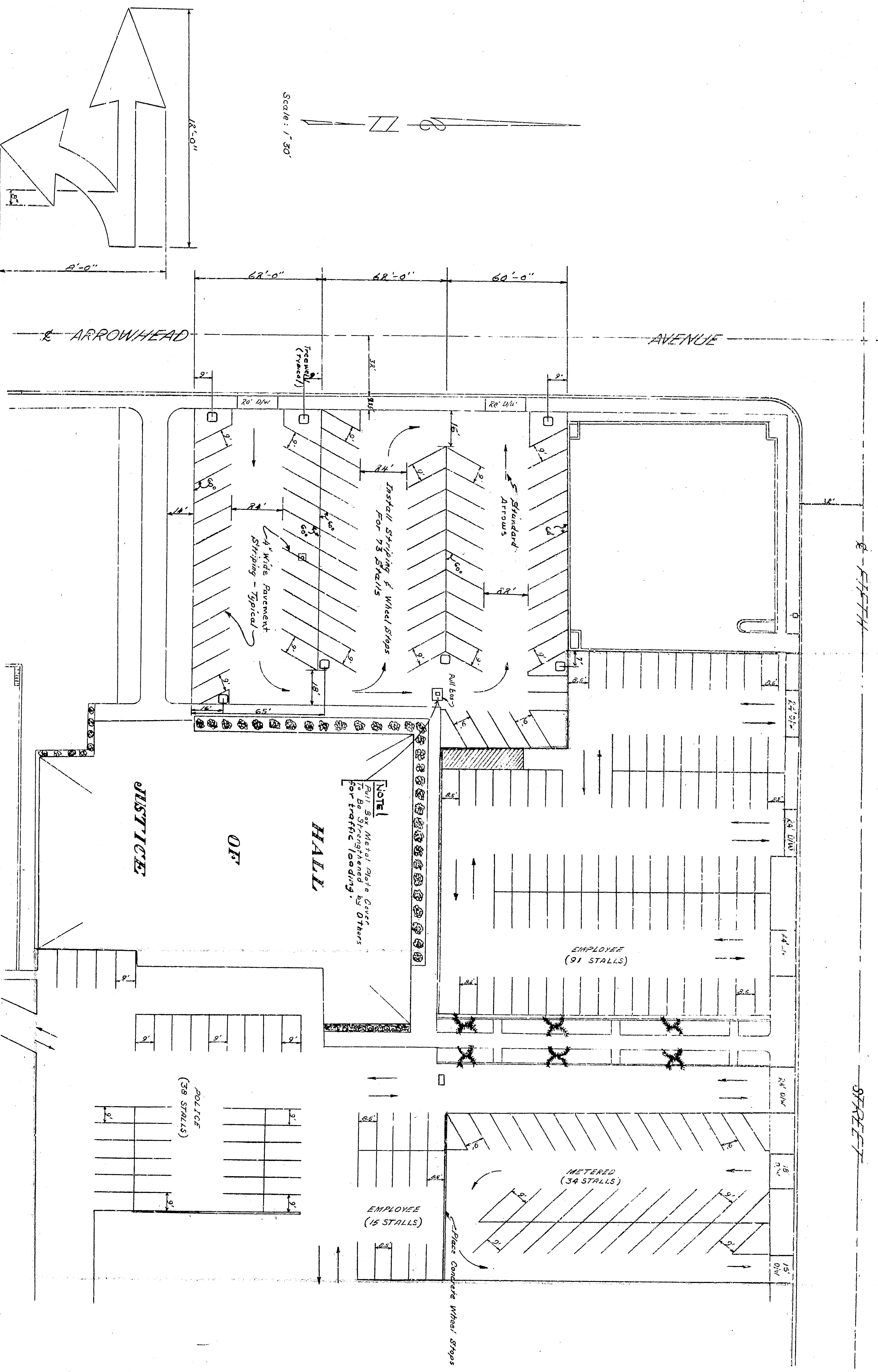
DETAIL CONCRETE WHEEL STOP
NO SCALE



DRAWING NO. 3073
SHEET 3 OF 3
SHEETS

STRIPING PLAN FOR
PARKING LOTS AT
HALL OF JUSTICES

NOT PART OF THIS CONTRACT



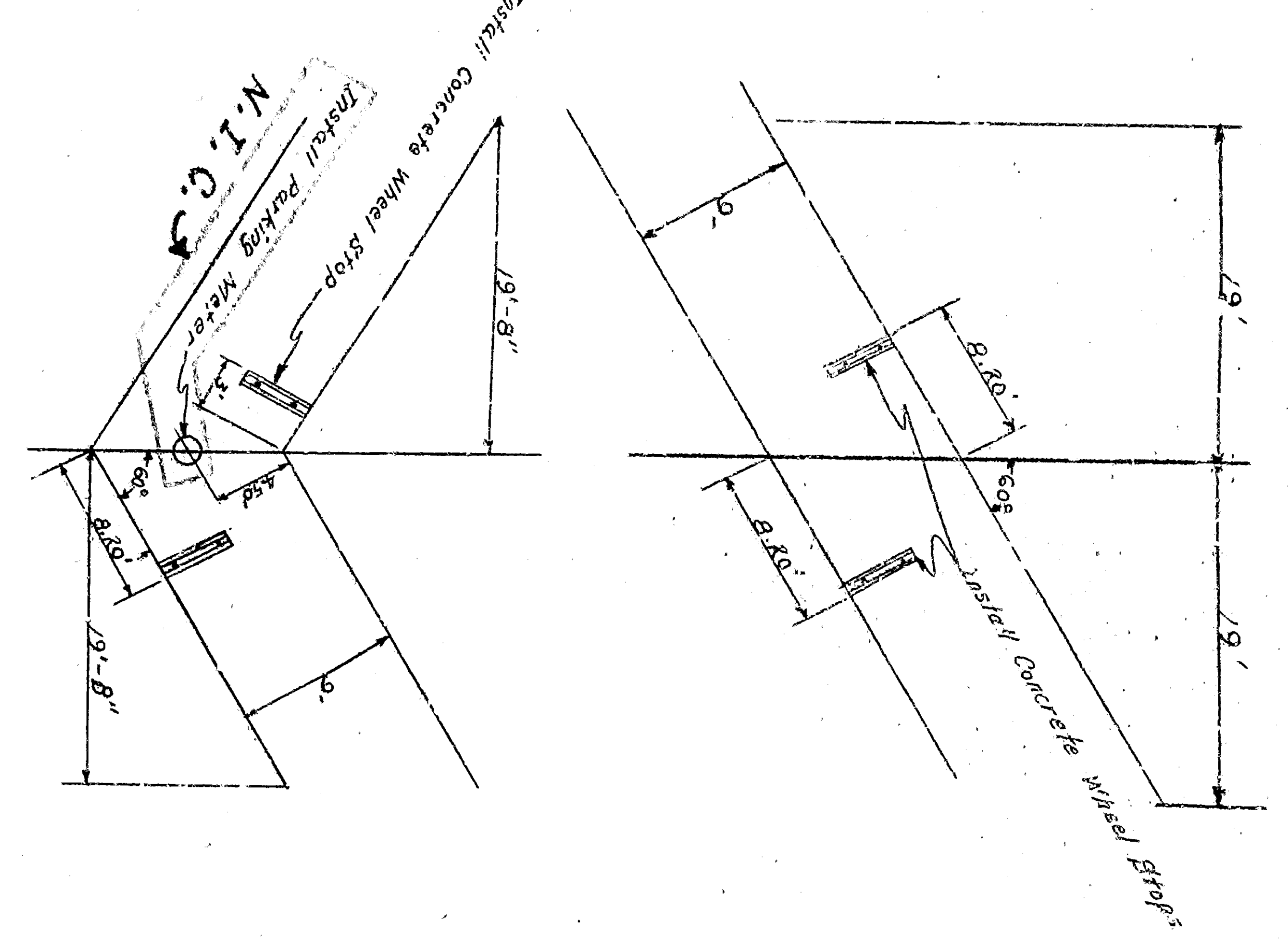
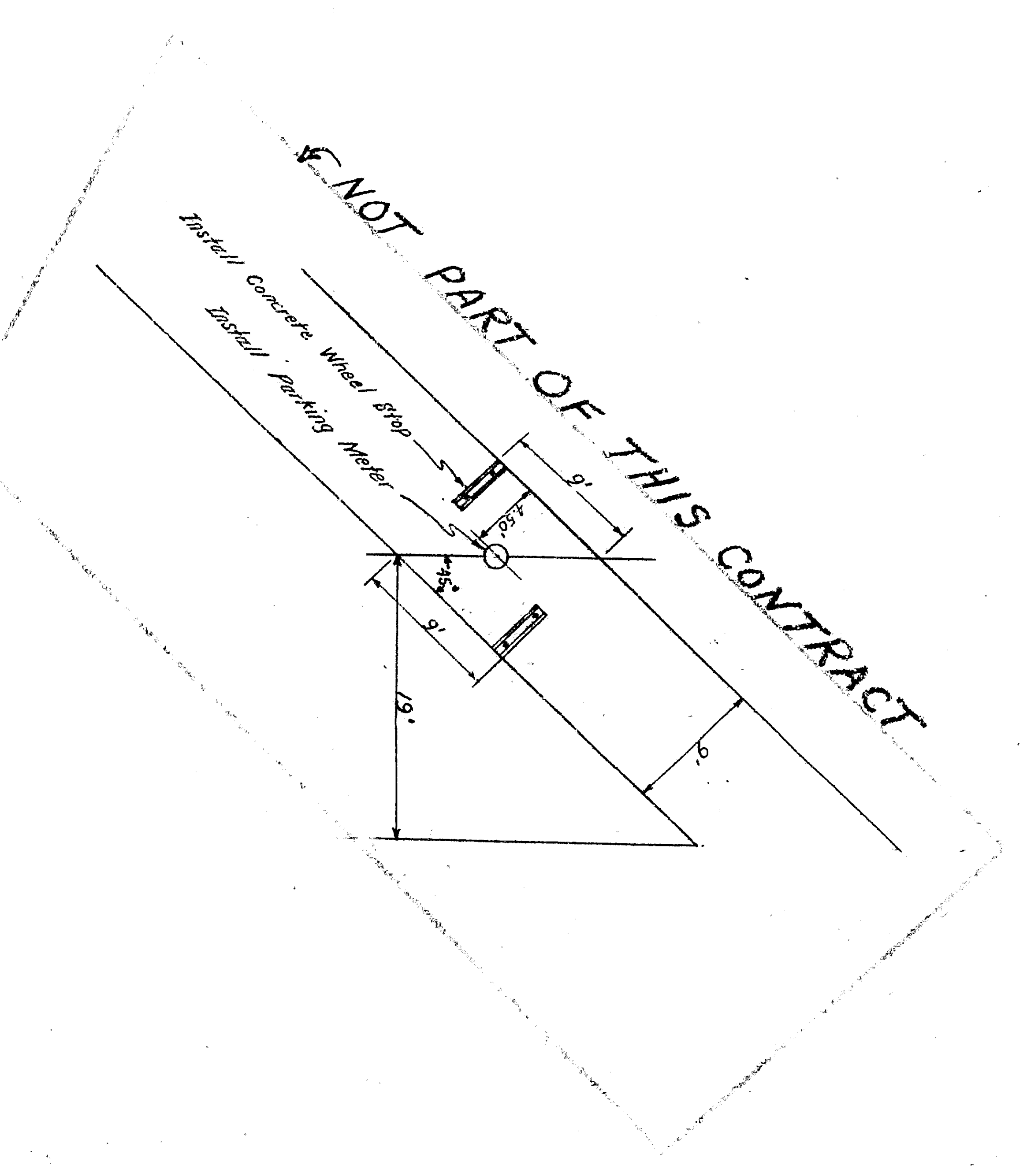
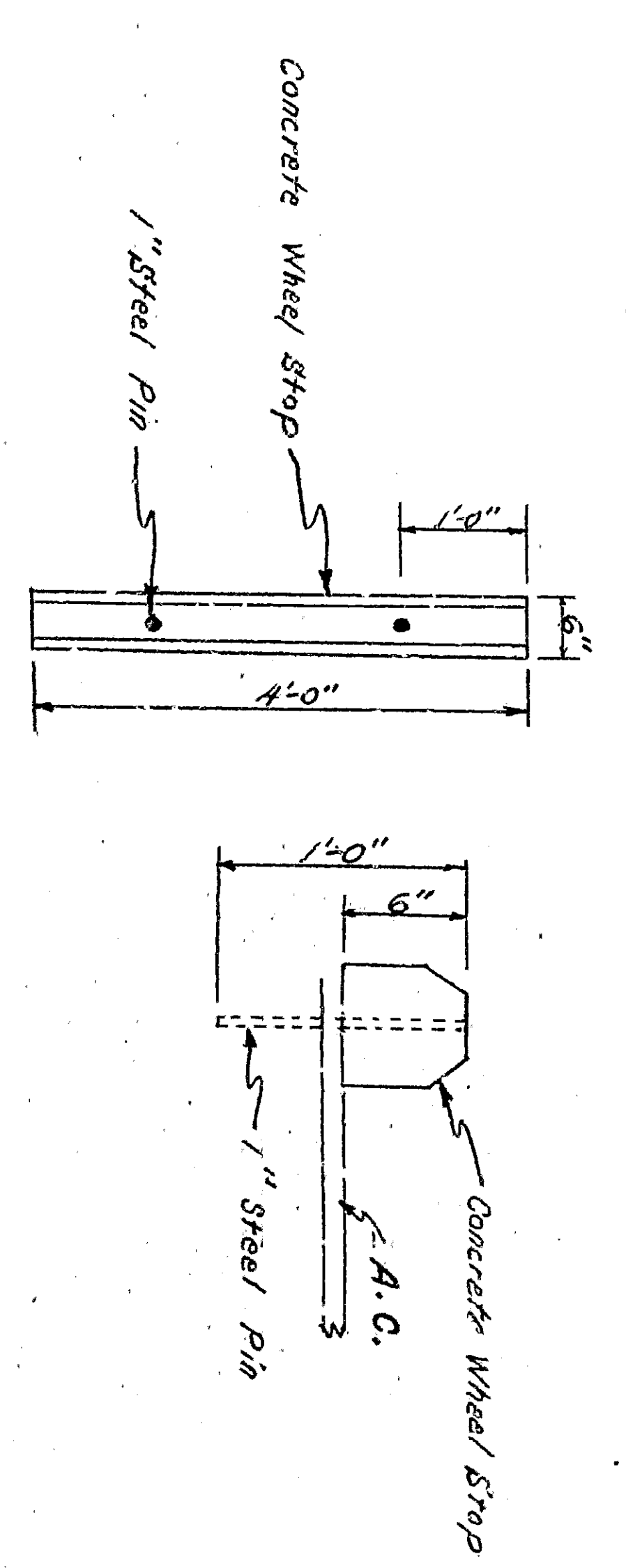
TYPICAL ARROWHEAD
FOR PAVEMENT MARKINGS
NO SCALE

NOT PART OF THIS CONTRACT

APPROXIMATE PARKING
METERED PARKING 103 STALLS @ 8'x6'
POLICE CAR PARKING 38 STALLS @ 9'
EMPLOYEE 18 STALLS @ 9'EMPLOYEE 91 STALLS @ 9'METERED 34 STALLS @ 9'POLICE 38 STALLS @ 9'TOTAL 183 STALLS

PARKING STALL DETAILS
NO SCALE

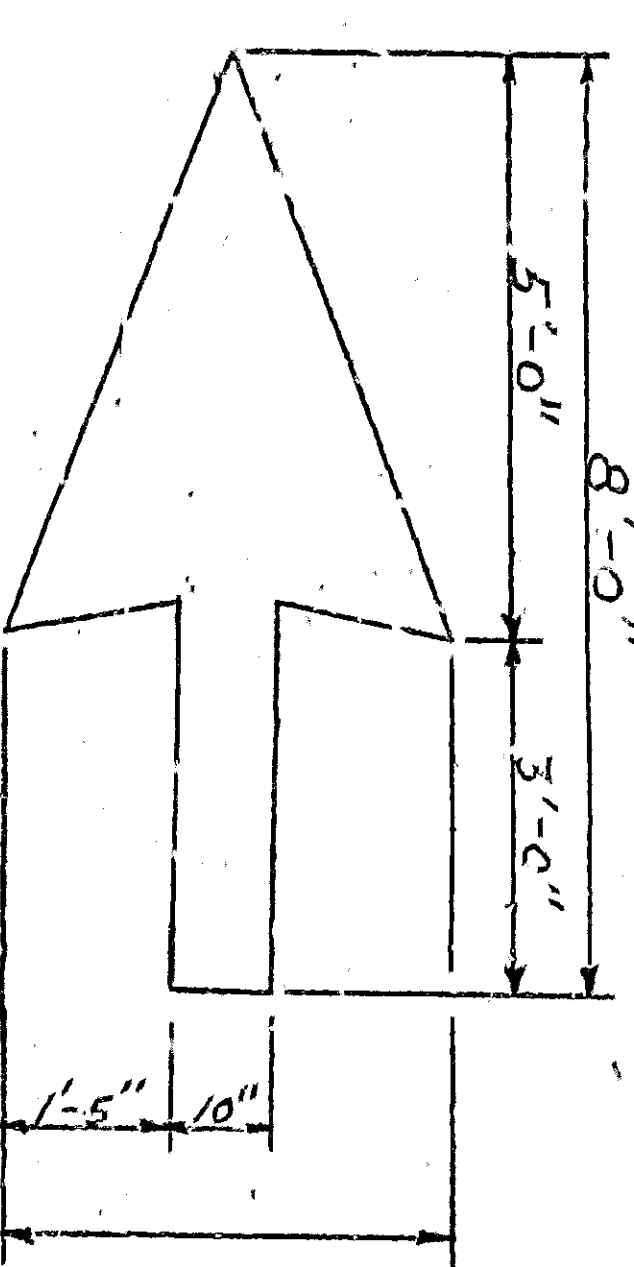
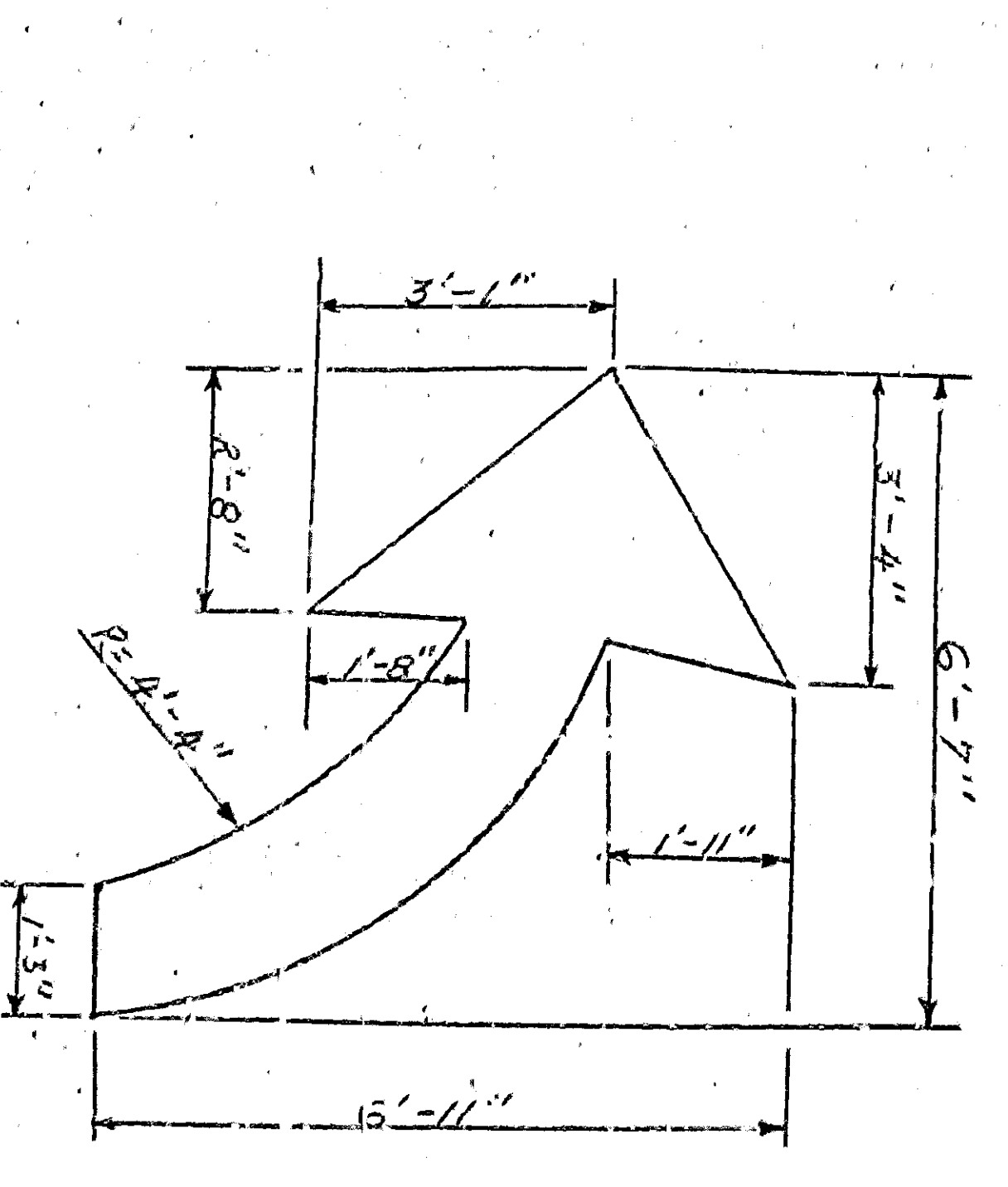
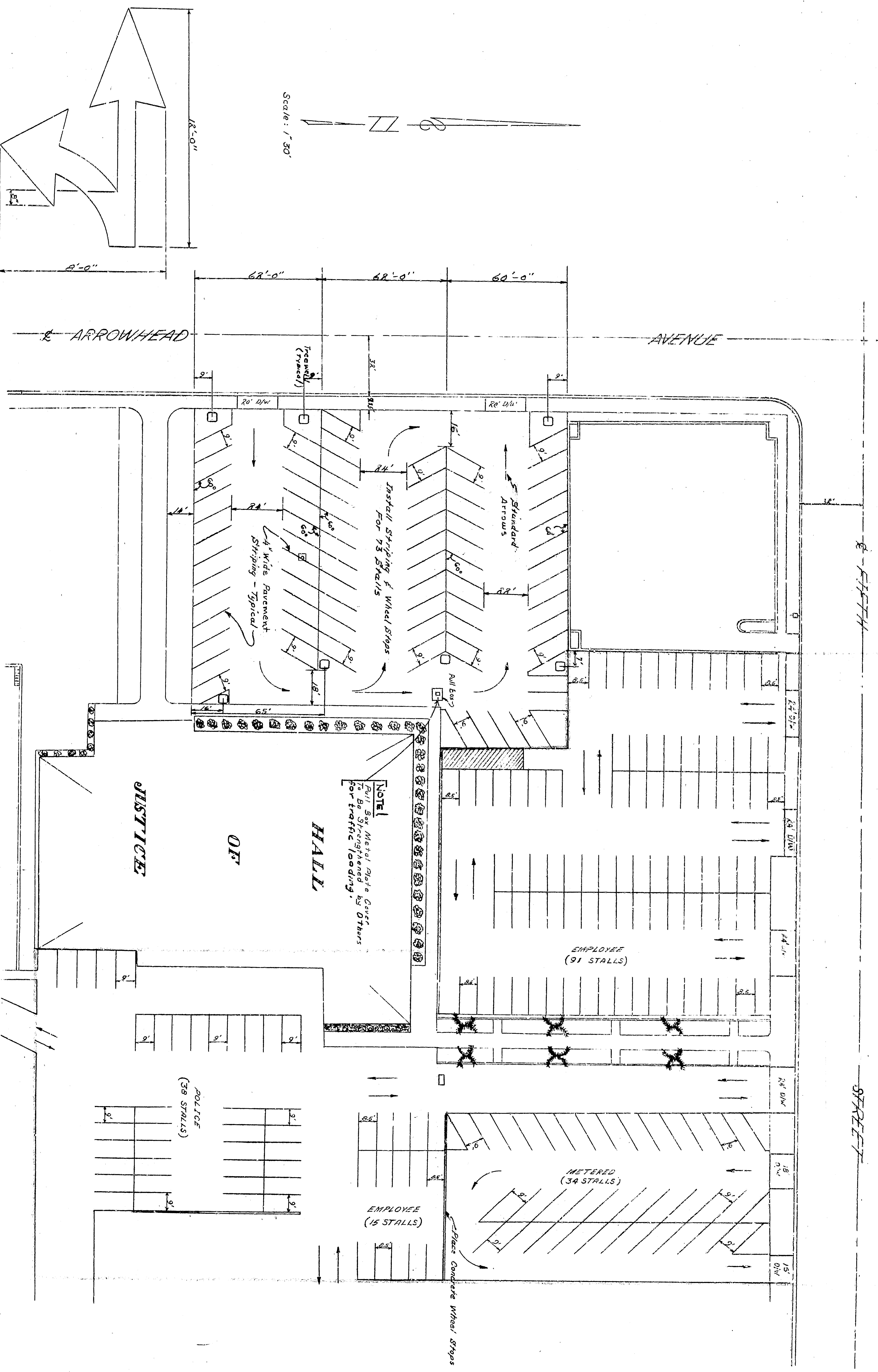
DETAIL CONCRETE WHEEL STOP
NO SCALE



DRAWING NO. 3075
SHEET 3 OF 3
SHEETS

STRIPING PLAN FOR
PARKING LOTS AT
HALL OF JUSTICES

NOT PART OF THIS CONTRACT



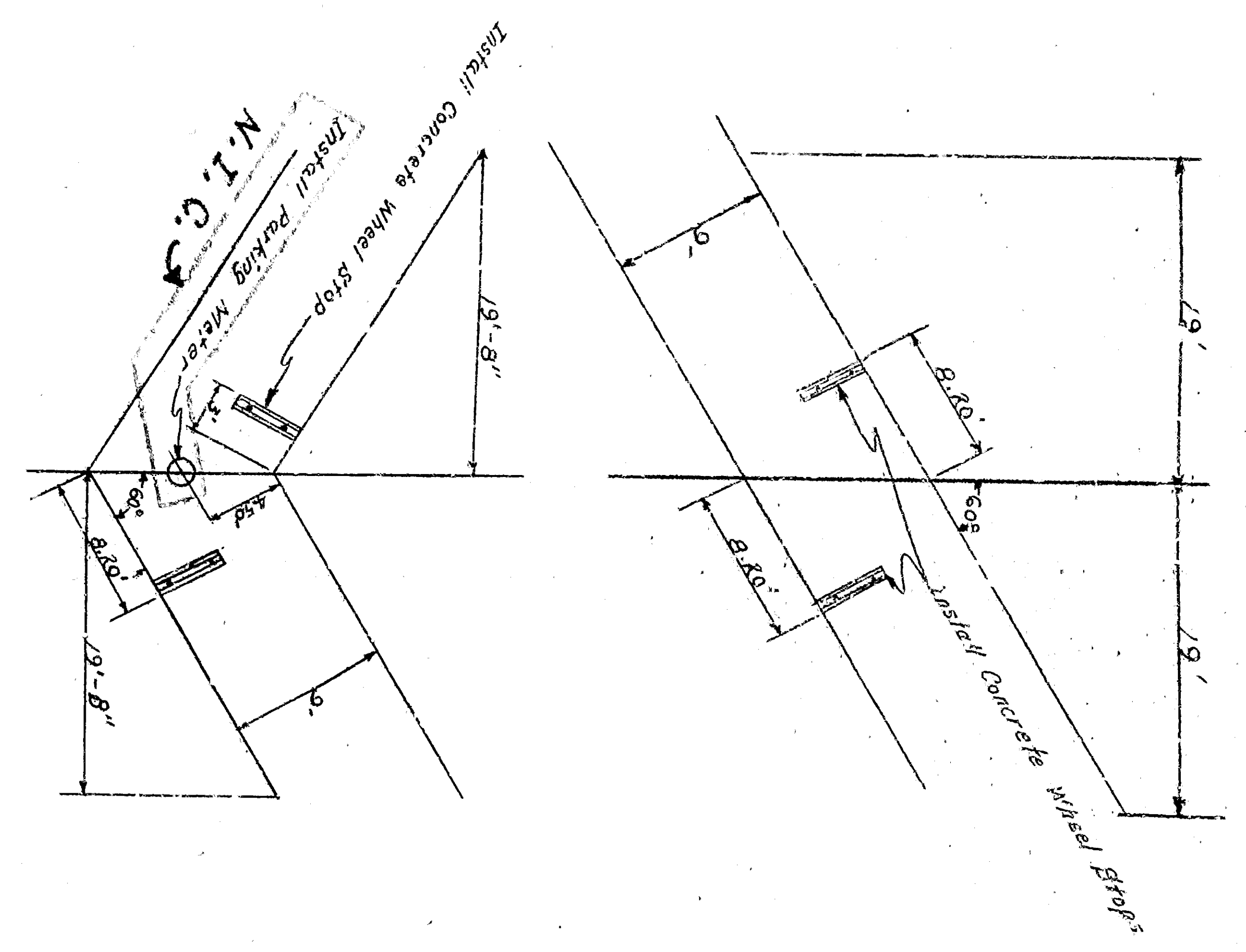
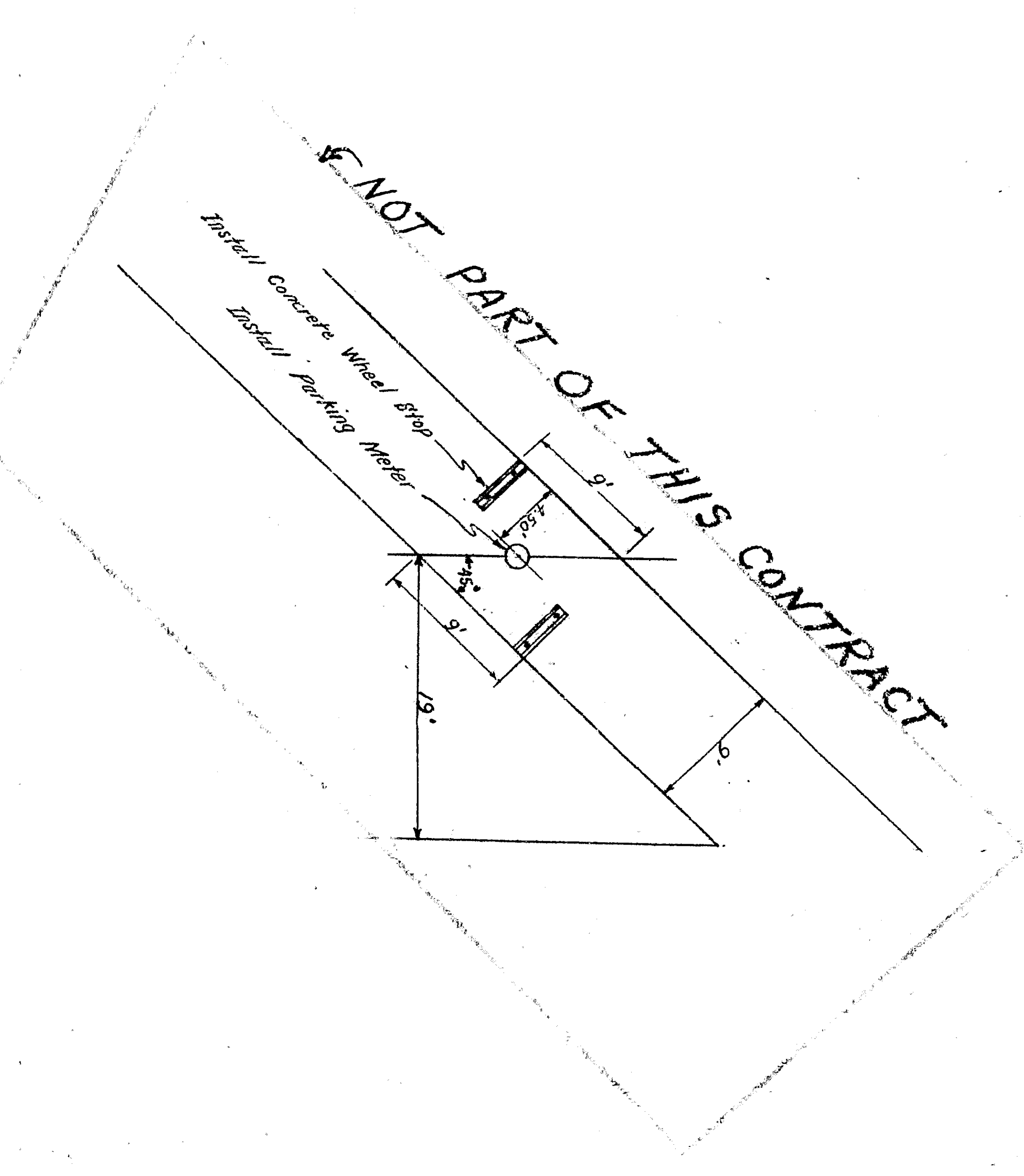
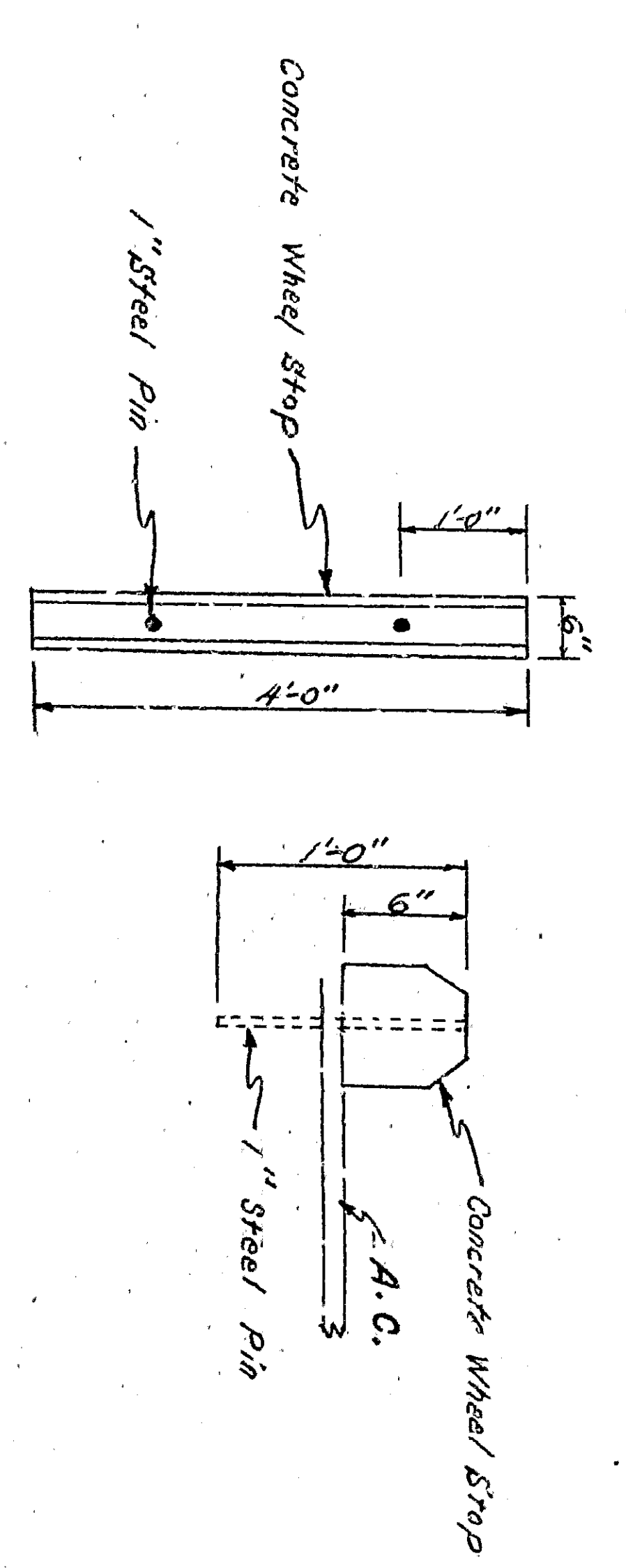
TYPICAL ARROWHEAD
FOR PAVEMENT MARKINGS
NO SCALE

NOT PART OF THIS CONTRACT

APPROXIMATE PARKING
METERED PARKING 103 STALLS @ 8' x 6'
POLICE CAR PARKING 38 STALLS @ 9' x 12'

PARKING STALL DETAILS
NO SCALE

DETAIL CONCRETE WHEEL STOP
NO SCALE



DRAWING NO. 3073
SHEET 3 OF 3
SHEETS

STRIPING PLAN FOR
PARKING LOTS AT
HALL OF JUSTICES